

TransPorter BlueLine Boxes

Modular Systems for Life Science products



Deep Frozen



Room Temp.



Cold Chain



Medications



BioHazardous



Blood

Transportation with TOTAL Temperature Security

TransPorter Blueline Boxes



10L

The protected design of the multiple use BlueLine Boxes was established for the transport of all life sciences product at different constant temperatures. Due to the modular system of cooling elements and boxes all required storage volumes and temperatures could be achieved easily.

The TempShells and TempFrames fit exactly in three different sizes of boxes. Depending on the quantity of the elements a transport time up to 48 hours can be achieved.

Beside the standard temperatures of +4°C, +22°C and -30°C elements with temperatures of -8°C, -21°C and +37 are available too.

You can choose the right temperature element for your application.



20L

Cooling elements can be proper placed in four different positions without putting weight on the product.

All boxes are ready for the placement of either a ThermoScan Datalogger or a RFID tag so that the temperature can be monitored and documented throughout the transport.

The lightweight boxes are stackable, sealable and come with an ergonomic handle.



30L

Due to the elements filled this **dT Fluids** no power cut can influence the quality of your medication, specimen or blood. **The system is safe and simple..**

Blueline Boxes Usage



Medications

To keep cold chain requirements of 2 to 8°C for your supplies



BioHazard

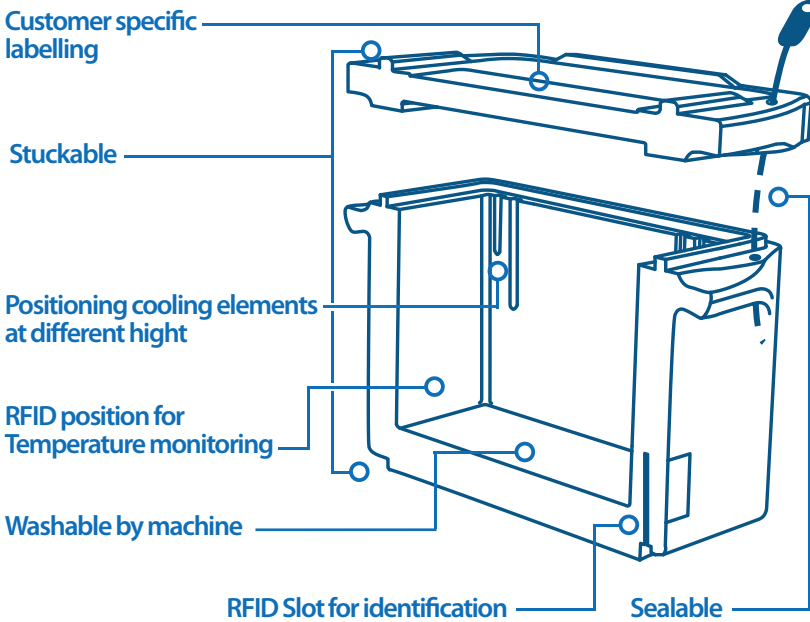
To transport specimen and clinical samples according to restrictions



Blood Transport

To ship whole blood, fresh frozen plasma, platelets and erythrocytes

Blueline Boxes Features

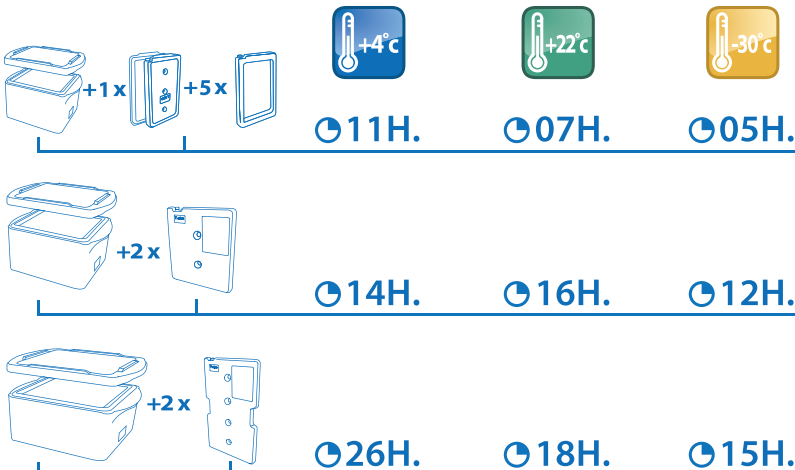


The latest polypropylene insulation technology and a wall size of up to 50 mm provides a sturdy, machine washable and highly insulated box.



All boxes available in **P650**

Stable Temperature Transport Times



* Measured at 37°C ambient temperature

delta T

Gesellschaft für Medizintechnik mbH

BlueLine 10L



Order No.: B 1000 34

Dimensions:

Outer: 335x368x340 mm

Inner : 335x368x340 mm

Weight: 1.2 kg

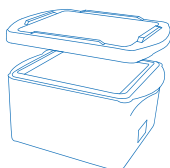
TempShells



Dimensions: 275x155x60 mm

Pair of :	Order No:	Weight:
4C TempShell	A 1000 29	1.1 kg
4C TempFrame	A 1000 30	0.7 kg
22C TempShell	A 1000 35	1.1 kg
22C TempFrame	A 1000 36	0.7 kg
-30C TempShell	A 1000 05	1.6 kg
-30C TempFrame	A 1000 06	1.0 kg

BlueLine 20L



Order No.: B 1000 33

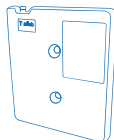
Dimensions:

Outer: 488x368x340 mm

Inner: 321x285x230 mm

Weight: 1.6 kg

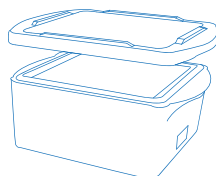
2L Cooling Element



Dimensions: 319x275x35 mm

Pcs. of:	Order No:	Weight:
4C Akku 2L	A 0900 05	2.5 kg
22C Akku 2L	A 0900 06	2.5 kg
-30C Freeze Element 2L	A 0900 01	3.6 kg

BlueLine 30L



Order No.: B 1000 20

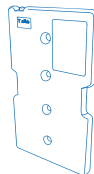
Dimensions:

Outer: 646x368x340 mm

Inner: 470x285x230 mm

Weight: 2.1 kg

3L Cooling Element



Dimensions: 465x275x35 mm

Pcs. of:	Order No:	Weight:
4C Akku 3L	A 1000 28	3.0 kg
22C Akku 3L	A 1000 34	3.0 kg
-30C Freeze Element 3L	A 1000 04	4.5 kg

delta T GmbH
Kerkrader Str. 11
35394 Giessen
Germany

Fon: +49 / 641 / 480 92 - 40

Fax: +49 / 641 / 480 92 - 42

email: info@deltaT.de

www.deltaT.de

Designed By: www.asilavi.com